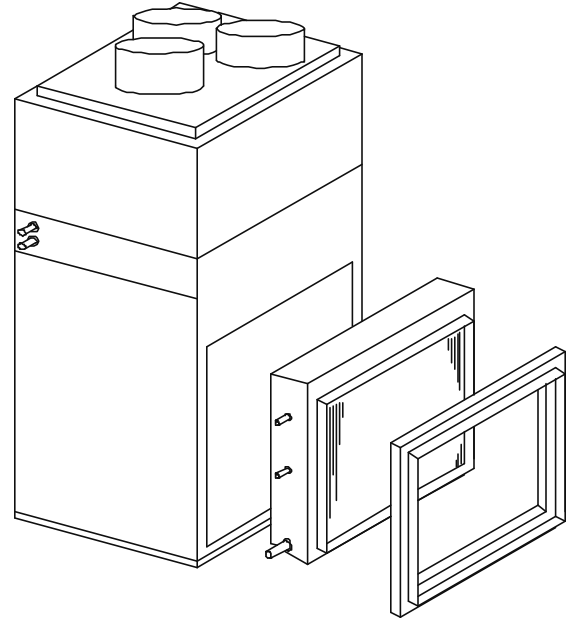


Three (3) independent zones and compact duct system designed to quietly deliver heating and cooling when and where you need it.

- Tight temperature control by zone increases comfort and eliminates hot and cold areas in the home.
- Self-contained unit comes complete with all controls and integrated zone dampers to reduce installation cost.
- Use three conventional Heat/cool thermostats
- Utilizes Ecologix Small D Duct system or can be connected to existing conventional duct systems for furnace replacement
- Externally mounted cooling coil allows flexible air handler mounting. (vertical, horizontal, upside down)
- Tall cabinets available for use with cooling “A” coils.
- Improved comfort with smaller condensing unit.
- Reduced peak electrical loading during A/C season.
- Fan automatically runs at lowest possible speed to meet demand and ensure virtually silent operation.
- High Efficiency EC Motor
- Compatible with all standard humidifiers, 4 inch pleated filters and electronic air cleaners



- **Optional Daily pump exerciser:** can be added to reduce maintenance worries and meet code requirements in some areas.
- Add-on humidity control available during cooling to maximize cooling comfort
- **Good value:** costs less to install than comparable zoned systems. Air handler complete with plenum box and three duct collars, reduces installation time.

Model	ZC-18	ZC-24 ZCT-24	ZC-30 ZCT-30	ZC-36 ZCT-36	ZC-42 ZCT-42	ZC-48 ZCT-48	ZC-60 ZCT-60	ZC-100
Minimum number of 3" outlets	18	24	30	36	42	48	60	68
Minimum Branches per Zone	5	6	8	9	11	12	15	17
Heating Capacity (Btu/h)@130°F	28,000	56,000	56,000	61,000	61,000	71,000	71,000	91,000
Heating Capacity (Btu/h)@140°F	30,000	60,000	60,000	66,000	66,000	77,000	77,000	106,000
Heating Capacity (Btu/h)@160°F	37,000	77,000	77,000	85,000	85,000	100,000	100,000	135,000
Heating Capacity (Btu/h)@180°F	48,000	95,000	95,000	104,000	104,000	122,000	122,000	164,000
Air flow rate at full heating (cfm)	800	1200	1200	1400	1400	2000	2000	2000
Cooling Capacity (Tons)	1.5	2.0	2.5	3.0	3.5	4.0	5.0	5.0
Blower Motor (Amps)	5.5	5.5	5.5	7.7	7.7	9.6	9.6	9.6
Circulator (Amps)	0.6	0.8	0.8	0.8	0.8	0.8	0.8	1.4
Cabinet Width (in.)	14	22	22	22	22	22	22	22
Cabinet Depth (in.)	20	22	22	22	22	22	22	22
ZC Cabinet Height (in.)	37	44	44	44	44	44	44	61
ZCT Cabinet Height (in.)	N/A	61	61	61	61	61	61	N/A
Supply Air	3x6"F	3x8"F	3x8"F	3x8"F	3x10"F	3x10"F	3x10"F	3x10"F
Return air (in.)	12x16	20x20	20x20	20x20	20x20	20x20	20x20	20x20
Water Connections (in.)	1/2	3/4	3/4	3/4	3/4	3/4	3/4	3/4
Weight (lb.)	90	110	110	110	110	120	120	130

Heating capacity based on 70°F return air, high speed, 20°F water temperature drop through the coil and 12.5 feet length per branch at 3" diameter

Regular ZC requires Ecologix Horizontal slab cooling coil (extra) model HC1216 for ZC-18 or HC2020 for all others up to 3.5 tons.

Tall ZCT can use cooling A-coil supplied by others. Cabinet opening is 20W x 21D x 18H.