



## A2W CCHP Series [Air-to-Water]

Models:

A2W-540-DI-LI

Digitally Modulated Variable Capacity

A2W-600-T-LI

Two Stage

Residential Air-to-Water  
Cold Climate  
Air Source Heat Pumps

Installation & Maintenance Manual  
Revision: 1.04

## **Table of Contents**

Table of Contents	2
Safety	3
Specifications	5
Typical Plumbing Connections	7
A2W540 without thermal storage	7
A2W600 with thermal storage	7
Wiring Diagram	8
Introduction	9
How It Works	9
Heating Mode	9
Cooling Mode	9
Outdoor Fan Motor Operation	9
Defrost	10
Controls and monitoring	10
Monitoring	10
Control	10
Wiring	10
Installation	10
Indoor Unit Location	10
System Supplemental Heat	11
Domestic water assist Heat Exchanger	11
Outdoor Unit Location	11
Stand Alone Outdoor Unit Option	11
Wall Mounted Outdoor Unit Option	11
Refrigerant Connections	11
Charging refrigerant	12
Electrical	13
Electrical – LINE Voltage	13
General Line Voltage Wiring	13
Indoor Unit Power Connection	13
Outdoor Unit Power Connection	13
Domestic water assist pump	13
Field Wiring	13
Electrical – LOW Voltage	14
Thermostat Connections	14
Control and communication cable between indoor and outdoor unit.	14
Start Up Procedures	14
Initial Check	14
Commissioning report	14
Defrost Test	14
Service and Maintenance	14
Indoor unit	14
Outdoor Fan	14
Compressor	14
Cabinet	14
Refrigerant System	15
Maintenance for attached forced air systems	15
Unit & System Checklist	15
Warranty	16

## A2W Series Heat Pump

---

### **Safety**

Warnings, cautions and notices appear throughout this manual. Read these items carefully before attempting any installation, service or troubleshooting of the equipment.

**DANGER:** Indicates an immediate hazardous situation, which if not avoided will result in death or serious injury.

**DANGER** labels on unit access panels must be observed.

**WARNING:** Indicates a potentially hazardous situation, which if not avoided could result in death or serious injury.

**CAUTION:** Indicates a potentially hazardous situation or an unsafe practice, which if not avoided could result in minor or moderate injury or product or property damage.

**NOTICE:** Notification of installation, operation or maintenance information, which is important, but which is not hazard-related.

#### **WARNING**

##### **Electric Shock Hazard**

To avoid possible injury or death due to electrical shock, disconnect power during installation.

#### **WARNING**

##### **Personal Injury And Unit Operation Hazard-**

Failure to follow this warning may result in personal injury or death. Relieve pressure and recover all refrigerant before system repair or final unit disposal. Use all service ports and open all flow-control devices, including solenoid valves.

#### **WARNING**

All refrigerant discharged from this unit must be recovered. To avoid release of refrigerant into the atmosphere, the refrigerant circuit of this unit must only be serviced by technicians who meet all required local and federal qualifications.

#### **CAUTION**

Do not use equipment for construction heating or cooling. Doing so will introduce construction dirt and debris, shortening equipment life and voiding motor and/or compressor warranty.

#### **WARNING**

##### **Electrical Hazard**

Electrical components may hold charge. To avoid possible injury or death due to electrical shock, **DO NOT** remove control box cover for 2 minutes after power has been removed from unit. Verify zero voltage at inverter connections shown on inverter cover.

#### **CAUTION**

**CUT HAZARD!** Sheet metal parts may have sharp edges or burrs. Use care and wear appropriate protective clothing, safety glasses, and gloves when handling parts and servicing heat pumps.

# A2W Series Heat Pump

---

## General Information

### Inspection

Upon receipt of the equipment, carefully check the shipment against the bill of lading. Make sure all the units have been received. Inspect the carton or crating of each unit, and inspect each unit for damage. Assure the carrier makes notation of any shortages or damage on all copies of the freight bill and completes a common carrier inspection report. Concealed damage not discovered during unloading must be reported to the carrier within 15 days of receipt of shipment. If not filed within 15 days, the freight company can deny the claim without recourse. Note: It is the responsibility of the purchaser to file all necessary claims with the carrier.

### Storage

Equipment should be stored in its original packaging in a clean, dry area. Store units in an upright position at all times.

### Unit Protection

Use shipping cartons, vinyl film, or an alternative form of covering that can adequately protect the unit on the job site. Open ends of piping should always be capped. Avoid causing physical damage to areas where painting, plastering, and/or spraying has not been completed. Take necessary precautions to avoid contamination by foreign materials. Physical damage and contamination may require the equipment to be cleaned or other costly repairs as this can prevent proper start-up.

Examine all pipes, fittings, and valves before installing any of the system components. Remove any dirt or trash found in or on these components.

### Pre-Installation

Installation, Operation and Maintenance instructions are provided with each unit. Be sure to completely read and understand these before beginning installation. The installation site chosen should include adequate service clearance around the unit. Before unit start-up, read all manuals and become familiar with the unit and

its operation. Check the system thoroughly before operation.

Prepare the units for installation as follows: Compare the electrical data on the unit nameplate with the ordering and shipping information to verify that the correct unit has been shipped.

Keep the cabinet covered with the shipping carton until the installation, plastering, painting, etc. is complete.

Check the refrigerant tubing. Ensure it is free of any dents or kinks, and verify that it is not in contact with any other parts in the unit.

Check wire harnesses and control wiring to ensure that plugs are securely seated and wires were not damaged during shipping.

Inspect all electrical connections. Connections must be clean and tight at the terminals.

Loosen compressor bolts on units equipped with compressor spring vibration isolation until the compressor rides freely on the springs. Remove shipping restraints.

**\*NOTICE\*** Failure to remove shipping brackets (if installed) from spring-mounted compressors will cause excessive noise, and could cause failure due to added vibration.

### **CAUTION**

Do not store or install units in corrosive environments or in locations subject to temperature or humidity extremes (e.g. attics, garages, rooftops, etc.). Such conditions can significantly reduce performance, reliability, and service life of equipment.

### **CAUTION**

Always move and store units in an upright position. Tilting units on their sides may cause equipment damage. Strap equipment securely to appliance truck before moving. Denting bottom of unit from improper handling voids warranty for sheet metal parts. Improper handling will result in poor fit of doors and access panels.

# A2W Series Heat Pump

## Specifications

PERFORMANCE	A2W540-D-LI						A2W600-2-LI						
<b>Outdoor Temp.</b>	8.3°C (47°F)		-8.3°C (17°F)		-25°C (-13°F)		8.3°C (47°F)		-8.3°C (17°F)		-25°C (-13°F)		
<b>Inlet Load Temp.</b>	30°C (86°F)	40°C (104°F)	30°C (86°F)	40°C (104°F)	30°C (86°F)	40°C (104°F)	30°C (86°F)	40°C (104°F)	30°C (86°F)	40°C (104°F)	30°C (86°F)	40°C (104°F)	
<b>Capacity (MBTU/hr.)</b>	14.7 – 47.5	13.4 – 43.2	10.8 – 34.7	8.8 – 28.6	6.9 – 22.2	6.0 – 19.3	48.0	41.8	36.8	32.0	25.0	21.8	
<b>Capacity (kW)</b>	4.3 – 13.9	3.9 – 12.7	3.2 – 10.2	2.6 – 8.4	2.0 – 6.5	1.8 – 5.7	14.1	12.3	10.8	9.4	7.3	6.4	
<b>Heat Pump COP<sup>C</sup></b>	3.7	2.7	3.0	2.0	2.5	1.8	3.3	2.3	2.9	2.0	2.1	1.5	
<b>Cooling Capacity</b>	<b>Tons</b>	4						4					
	<b>kW</b>	14						14					

Notes : Performance data subject to change. Performance based on load-side water flow rate of 12 gpm.

A. Heat pump uses variable capacity compressor and will adjust as needed to meet demand. Capacity ranges shown are minimum and maximum at the rated outdoor air temperature. Tank not included.

B. Heat pump uses two-stage compressor and will adjust based on demand. Capacities shown are for second stage. First stage capacities are approximately 2/3 of the values given. Tank not included.

C. Rated maximum COP within published operating range. Excludes pump power.

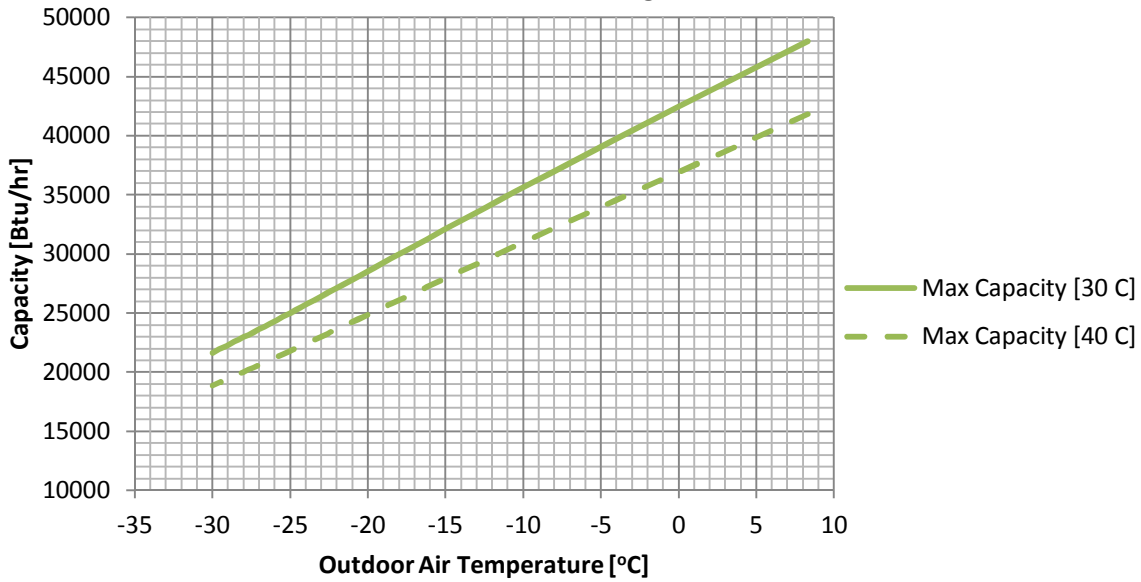
PHYSICAL SPECIFICATIONS	A2W540-D-LI <sup>A</sup>	A2W600-2-LI <sup>B</sup>
<b>Voltage (V/PH/Hz)</b>	230/1/60	230/1/60
<b>Compressor LRA</b>	134.0	179.2
<b>Minimum Circuit Ampacity (A)</b>	37	43
<b>Maximum Fuse size</b>	60	70
<b>Weight – Indoor Unit (pounds)</b>	240	238
<b>Indoor Cabinet Dim(W x D x H)</b>	22" x 25" x 48"	22" x 25" x 48"
<b>Liquid Line Size O.D. (inches)</b>	½	½
<b>Vapour Line Size O.D. (inches)</b>	¾	¾
<b>Domestic Assist HX plumbing (inches)</b>	½	½
<b>Factory Refrigerant Charge (ounces)</b>	45	52

Refer to name plate for specs on specific field unit. Equipment nameplate supersedes numbers published in this document.

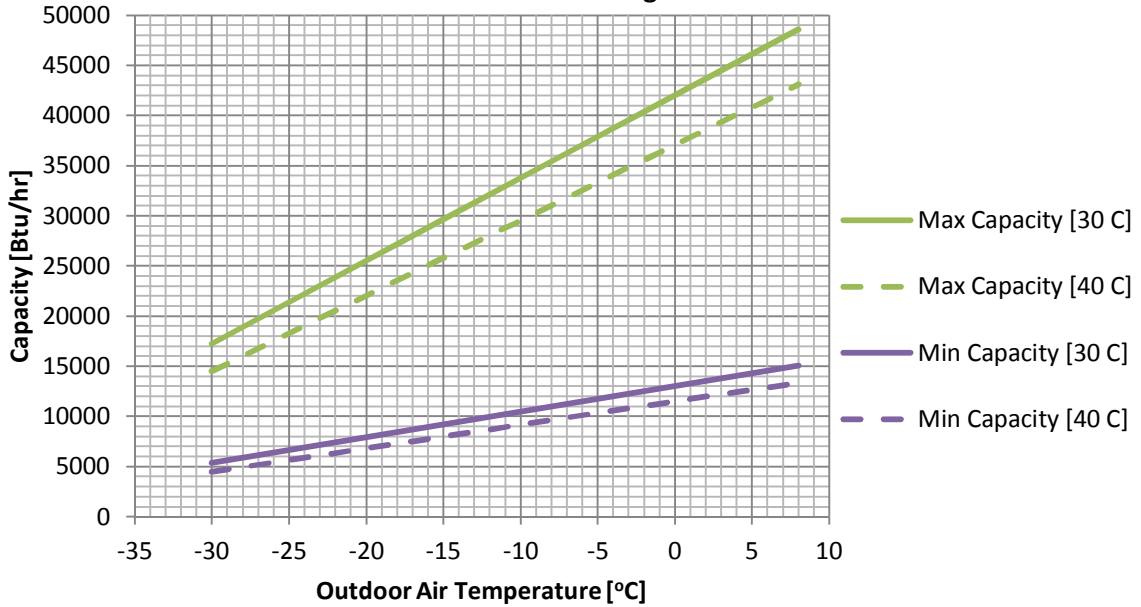


# A2W Series Heat Pump

### A2W600-2-LI Sizing Chart



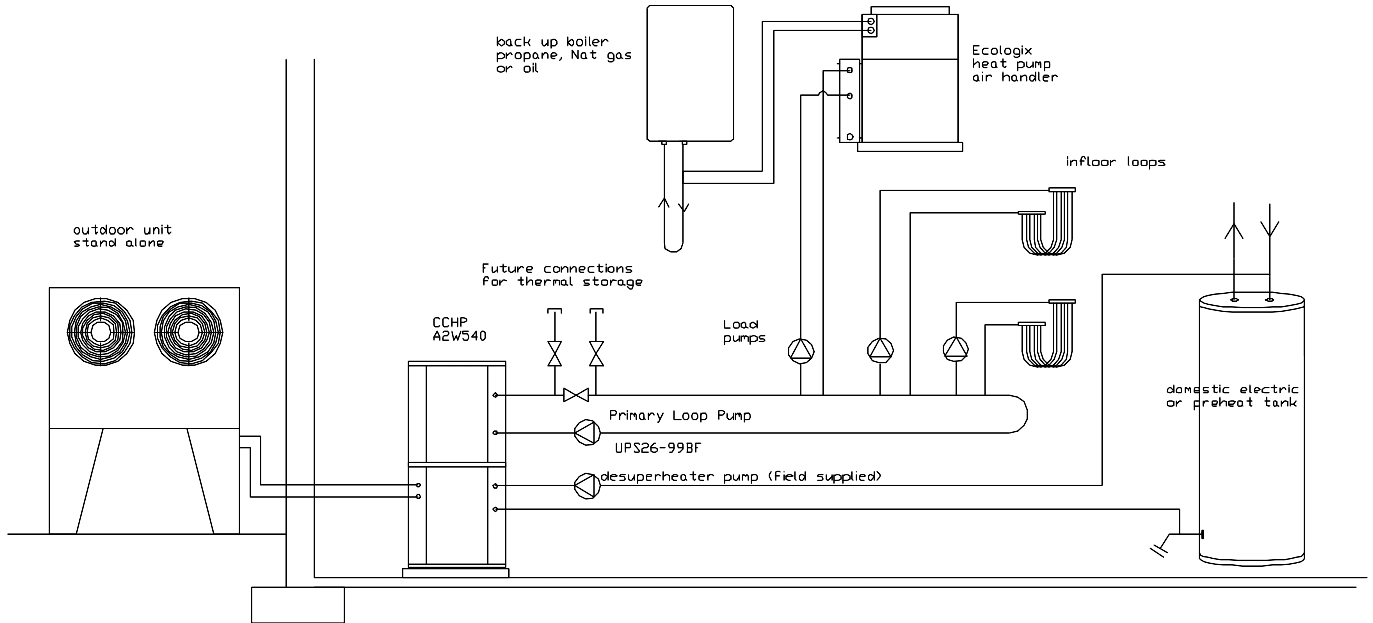
### A2W540-D-LI Sizing Chart



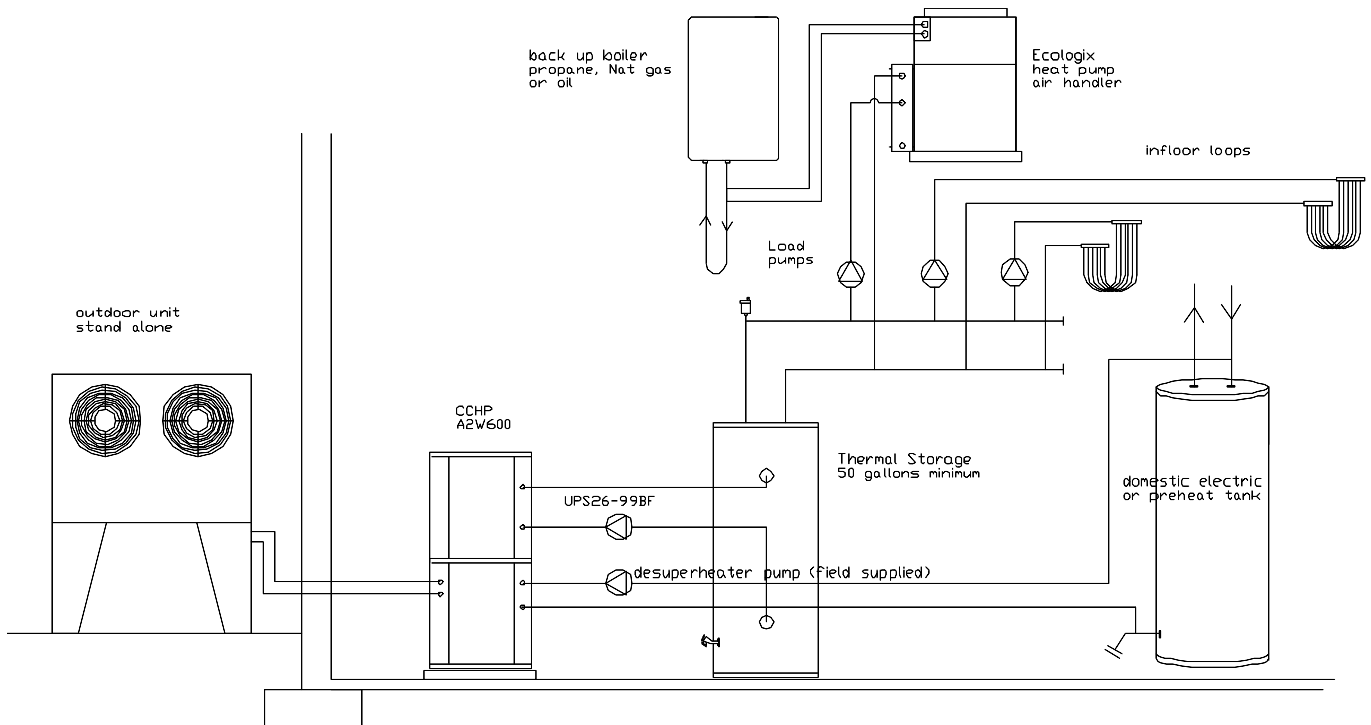
# A2W Series Heat Pump

## Typical Plumbing Connections

### A2W540 without thermal storage



### A2W600 with thermal storage



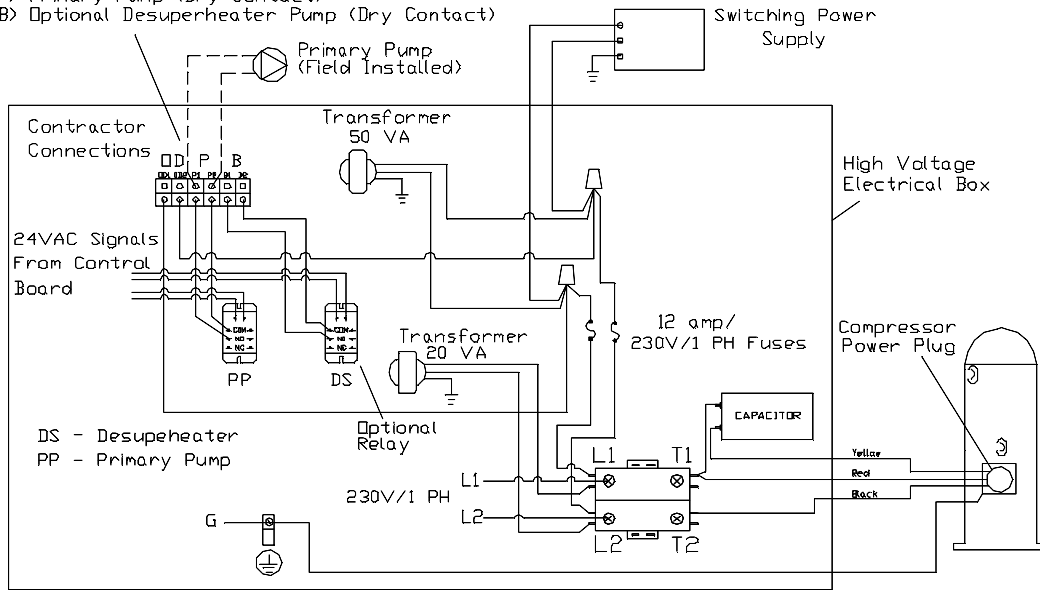
# A2W Series Heat Pump

## Wiring Diagram

### Power Wiring - A2W540-D

Terminal Strip Connections

- DD) Outdoor Fans (230 VAC)
- P) Primary Pump (Dry Contact)
- B) Optional Desuperheater Pump (Dry Contact)

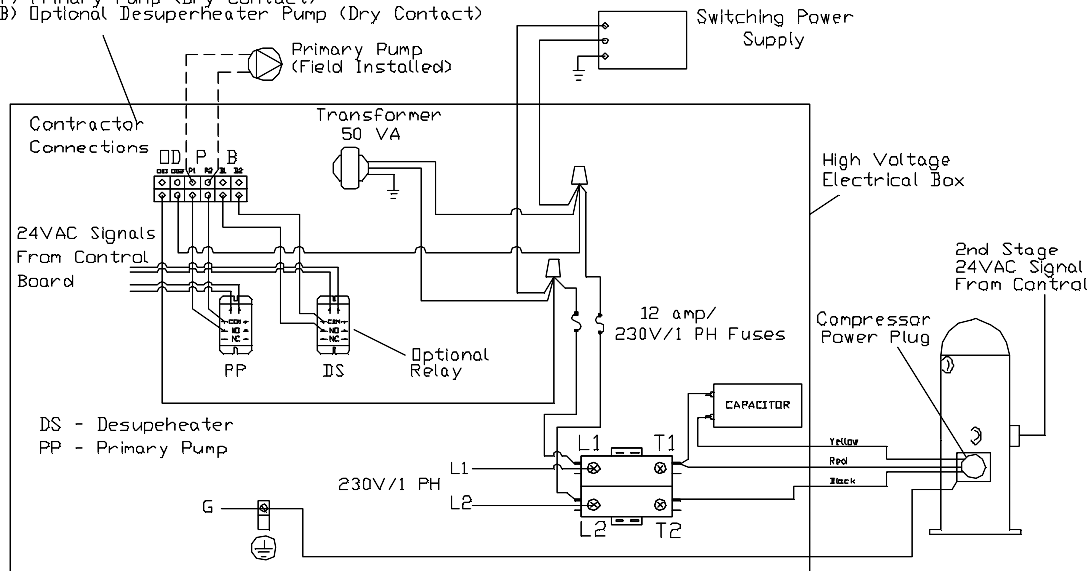


A2W540-D Power Wiring R0311

### Power Wiring - A2W600-2

Terminal Strip Connections

- DD) Outdoor Fans (230 VAC)
- P) Primary Pump (Dry Contact)
- B) Optional Desuperheater Pump (Dry Contact)



A2W600-2 Power Wiring R0311



# A2W Series Heat Pump

---

**The installation of air source heat pump units and all components, parts and accessories that make up the installation shall be in accordance with the regulations of ALL authorities having jurisdiction and MUST conform to all applicable codes. It is the responsibility of the Installing Contractor to determine and comply with ALL applicable codes and regulations.**

## **Introduction**

The Ecologix Air to Water (A2W) Cold Climate Heat Pump (CCHP) is an innovative new product designed for Canadian winters. It is designed to heat and cool using various hydronic methods. Unlike conventional air source heat pumps, where capacity drops rapidly at lower

temperatures, the CCHP can operate efficiently at temperatures as low as  $-25^{\circ}\text{C}$ . Depending on the application, you can integrate one or more Ecologix pump modules into the design to create a reliable system that is easy to install.

## **How It Works**

The Air to Water CCHP uses heat pump technology to provide both hydronic heating and cooling. The compressor is sized to efficiently provide heating for design temperatures as low as  $-25^{\circ}\text{C}$ .

In all Ecologix Heat pump systems the compressor is inside. All controls and key control components are serviced from the heated mechanical room instead of at the outside unit as with most other vendor's heat pumps.

All systems are supplied with a domestic assist heat exchanger that allows recovery of compressor heat for use as preheating of domestic water. The pump and piping for the domestic assist can be installed with the equipment installation or can be left out or installed at a later date as a future enhancement.

The A2W540-V-LI product uses digital compressor technology to vary the capacity so that the system can closely match the house loads. With this unit, a buffer tank is not required and the heating system can be run off of a primary loop that feeds the various loads in the home (e.g. radiant in-floor, hydronic air handler, etc.). However, a buffer tank can still be used if desired.

The A2W600-T-LI product uses a two stage compressor and requires a buffer tank because it does not have the modulation ability to follow the loads of the building.

For detailed instructions on using the user controller interface and explanation on the A2W CCHP program, refer to the Controls User

Manual included with the product documentation.

### ***Heating Mode***

A call for heat will bring on the compressor, load side circulating pump (field installed), and outdoor fans. Depending on the type of A2W unit and system, the heating call will be to either satisfy a buffer tank temperature or a heating call from a zone in the building.

The electronic controller closely monitors the system performance and determines when a defrost cycle is required and for how long. This ensures that defrost cycles are only run when required, to optimize system efficiency.

### ***Cooling Mode***

In cooling mode, the system reversing valve is engaged. The reversing valve directs the hot discharge refrigerant gas to the outdoor coil and the indoor water coil is chilled to produce cooling water for the conditioned space.

### ***Outdoor Fan Motor Operation***

The outdoor unit control energizes the two outdoor fans anytime compressor is operating. The outdoor fan remains energized if a pressure switch opens or compressor scroll over temperature should occur. The outdoor fans are EC motors that operate at varying speeds depending on the ambient air temperature and the demand. The maximum speed of the outdoor fans is adjustable from the HP control. Maximum fan speed should be typically set between 70% and 100% for optimum operating efficiency. Lower maximum fan speeds may be

## A2W Series Heat Pump

---

selected for noise control but system efficiency and capacity is compromised when the fan speed is limited too greatly.

### ***Defrost***

The CCHP systems have two modes of defrost. Automatic defrost mode measures the difference between outdoor air and refrigerant saturation temperature and automatically determines the desired time to defrost and the length of defrost.

### **Controls and monitoring**

Ecologix's cold climate heat pumps (CCHP's) all share a common control and monitoring platform.

#### ***Monitoring***

The heat pumps are fully monitored internally and come with an internet gateway that provides data logging and performance collection capabilities.

With the internet connection in place, Ecologix Engineers can help trouble shoot and help the installer commission the system from our head office. The monitoring capability also allows the factory or the installer to log into the home prior to a site visit to check on the operation of the system before arriving on site. All aspects of the operation are monitored. Temperatures, pressures and operating states are logged by Ecologix over the homeowner's internet connection. This approach allows off site troubleshooting to quickly hone in on an area of concern. Knowing issues beforehand, the service technician can arrive on site to replace or repair the component of concern rather than spending time on site trying to field troubleshoot.

All installers must complete either in-house or on-site manufacturer's training before installing the equipment.

### **Installation**

#### ***Indoor Unit Location***

The indoor A2W series units are not designed for outdoor installation. Provide sufficient room to make electrical and other connections.

Locate the unit in an indoor area that allows easy removal of access panels, and has enough space

Timed defrost mode is a simplified algorithm that uses time since last defrost to trigger the next defrost. The defrost terminates based on a time interval that can be set at the control interface or on compressor discharge temperature, whichever event comes first. It is desirable to use automatic mode under most circumstances. Timed defrost is a safety mode available for temporary use in case of a failed sensor or other cause that disrupts proper operation of the automatic defrost.

#### ***Control***

The CCHP control wiring strategy is designed to be as modular as possible to make service and replacement as simple as possible. All functions of the heat pump are broken into separate control boards and sensors connected by cables.

The operation of the heat pump is controlled by a heat pump controller. The operation of the system loads are handled by either an air handler control or a load manager control depending on the type of system. This allows for consistency across the entire platform of products. The same Heat pump control is used regardless of if it is an air to water or air to air heat pump and independent of if the compressor is variable frequency, digitally controlled or a two stage compressor. An installer trained on one system will be familiar with the control of the other types of systems.

#### ***Wiring***

All internal and external wiring is managed through factory supplied cables so that miss wiring is eliminated as much as is possible. The equipment has a complex data collection system embedded in the control so that history on system operation can be recorded and used to optimize the system for a specific site.

for service personnel to perform maintenance or repair. Provide sufficient room to make water, refrigerant and electrical connections. Avoid blocking important access panels with electrical wiring, water and refrigerant piping. Do not locate in areas where ambient conditions are not

## A2W Series Heat Pump

---

maintained within 40-100°F and below 75% relative humidity.

Install the unit on a rubber isolation pad for sound attenuation purposes. Although the compressor is already installed on an isolation pan inside of the unit, this additional pad will help to prevent any additional vibration noise.

### ***System Supplemental Heat***

It is recommended that all Ecologix Air to Water Cold Climate Heat Pumps be installed with a supplemental heat source. This heat source will be used to provide heat during extreme cold conditions or for backup in case of a heat pump lockout or failure.

Possible supplemental heat options include:

- Boiler
- Electric or gas water heater
- Additional Heat Pump(s)
- back up electric or hydronic heat in air handlers attached to the unit.

### ***Domestic water assist Heat Exchanger***

All CCHP units come with built in desuperheater for optional domestic water assist.

A circulation pump can be installed external to the heat pump. A dry contact is provided in the electrical box to bring the pump on and off as required. The dry contact is capable of handling 24VAC or 115VAC or 240VAC to give the installer maximum flexibility in determining pump needs.

Temperature sensors and control logic to control the domestic assist cycle are built in to the heat pump control. Refer to [A2W LOAD Controller user's manual](#) that comes with the heat pump for set up and operation of the domestic assist.

Refer to the wiring diagram for typical electrical hook-up.

### ***Outdoor Unit Location***

Locate unit away from windows, patios, decks, etc. where unit operation sound may disturb home occupants or neighbours.

All outdoor modules need to be installed with sufficient space for airflow clearance, wiring, refrigerant piping, and service. A minimum of 6 feet of clearance is required in front of the unit for proper airflow. Also, the outdoor module should be installed at least 6 feet away from any

appliance exhaust pipe. Do not install unit near any walkways. When the unit defrosts in the winter, ice will build up underneath and around the outdoor module.

Be sure to take the line-sets into consideration when locating the outdoor module.

### ***Stand Alone Outdoor Unit Option***

The Stand Alone Outdoor Module needs to be installed on a solid, level surface. If conditions or local codes require the unit be attached to pad, tie down bolts should be used and fastened through the bottom flanges of the unit legs.

On rooftop applications, mount on level platform or frame. Isolate unit and tubing set from structure. Arrange supporting members to adequately support unit and minimize vibration transmission to building. Consult local codes governing rooftop applications.

Install the stand-alone unit with a slight slope back or to the side to avoid draining of melted snow into the fan openings. A slope of 1/8" per foot is adequate to keep lid of unit free of free standing water.

### ***Wall Mounted Outdoor Unit Option***

Install the Wall Mounted unit at least 3 feet off of the ground on an exterior wall using the supplied mounting brackets.

Do not locate wall mounted unit over walk ways or where ice can build up and create a slip hazard. Do not locate unit over ornamental bushes or house features you want buried in ice during winter operation.

### ***Refrigerant Connections***

The outdoor module must be connected to the indoor unit using field-supplied refrigerant grade tubing of correct size and condition.

1. Run refrigerant tubes as directly as possible by avoiding unnecessary turns and bends.
2. For line sets over 50 feet, go up one nominal size to compensate for the added pressure drop.
3. Leave some slack between structure and unit to absorb vibration.
4. When passing refrigerant tubes through the wall, seal opening with RTV or other pliable silicon-based caulk.
5. Avoid direct tubing contact with water pipes, duct work, floor joists, wall studs, floors and walls to prevent the likelihood of vibration.

## A2W Series Heat Pump

6. Do not suspend refrigerant tubing from joists and studs with a rigid wire or strap which comes in direct contact with tubing.
7. Ensure that tubing insulation is pliable and completely surrounds vapor tube.
8. When necessary, use hanger straps that conform to shape of tubing insulation.
9. Isolate hanger straps from insulation by using metal sleeves bent to conform to shape of insulation.
10. Insulation is required on all piping inside of the building envelope with at least an R-2.
11. For A2W-540-D insulate an additional R-2 on both vapour and liquid lines. This is most easily achieved by running both lines close together then double rapping with pipe insulation around both pipes. Make sure to seal all joints in both layers of insulation to ensure that there are no condensation issues.
12. Do NOT use insulation that is not rated for refrigerant use! Refrigerant lines get hot enough to melt regular plastic plumbing pipe insulation.
13. Do not crush the insulation with strapping. It will reduce the R-value at that point.
14. Insulation is not required on the liquid and vapour lines outside of building to the outdoor module.

### **CAUTION**

Failure to follow this caution may result in equipment damage or improper operation.

- Use a brazing shield
- Wrap service valves with wet cloth or heat sink material before brazing

It is important to install a drip loop on both lines outside just before they enter the building. This will prevent condensate from running along the tubing into the building.

Outdoor unit comes charged with nitrogen

Once you have relieved the nitrogen charge from the outdoor unit, dry fit both the liquid and vapour refrigerant lines between the indoor and outdoor unit and prepare for brazing. Make sure open lines and outdoor coil are capped to prevent contamination of the system until you are ready to braze.

Connect the vapour and liquid tubes to the correct service valve inside of the indoor unit. Again, be sure to use refrigerant grade tubing. Service valves are closed from factory and ready

for brazing. Wrap service valves with a wet rag

### **WARNING**

**Personal Injury And Unit Operation Hazard-** Failure to follow this warning may result in personal injury or death.

Relieve high pressure nitrogen charge from the outdoor module before cutting the lines to connect to indoor unit.

and braze the sweat connections using industry accepted methods and materials. Next, make the sweat connections at the outdoor unit. It is important to run nitrogen through the open portion of the system while brazing. Wrap all filter driers and service valves with wet cloth when brazing.

Once all of the connections are made, the outdoor module and line sets are ready for a leak test.

Once the leak test has passed, refrigerant tubes and outdoor coil must be evacuated using the recommended deep vacuum method down to 400 microns. Once this vacuum level is achieved, the service valves inside of the indoor unit can be opened to distribute the pre-charged refrigerant throughout the system.

Be sure to use a wrench to back the service valves when opening.

Never open system to atmosphere while it is under a vacuum.

### ***Charging refrigerant***

### **CAUTION**

Failure to follow this caution may result in personal injury, equipment or environmental damage or improper operation.

Do not overcharge system with refrigerant  
Do not operate unit in a vacuum or at negative pressure

Do not disable low pressure switch

Dome temperatures may be hot

Wear safety glasses, protective clothing, and gloves when handling refrigerant.

Federal regulations require that you do not vent refrigerant to the atmosphere. Recover during system repair or final unit disposal.

## A2W Series Heat Pump

Systems are factory charged for 25 feet of line set. Adjusting the amount of refrigerant for desired sub cooling is covered in the procedures contained in the **Ecologix Commissioning Report Form** for CCHP systems. All model CCHP units require the system to be commissioned after installation and before putting into service.

ONLY add or remove refrigerant if it is determined from the commissioning that the system is under or overcharged. If refrigerant is needed, system should be charged with liquid refrigerant. Use a commercial type metering device in the manifold hose when charging into suction line with compressor operating.

### Electrical

#### **WARNING**

To avoid possible injury or death due to electrical shock, disconnect power during installation.

#### **WARNING**

**ELECTRICAL SHOCK HAZARD**  
To avoid possible injury or death due to electrical shock.

The unit cabinet must have an uninterrupted or unbroken ground to minimize personal injury if an electrical fault should occur. The ground may consist of electrical wire or metal conduit when installed in accordance with existing electrical codes.

When running both power and control wiring, be sure not to block any access panels.

### ***Electrical – LINE Voltage***

#### **General Line Voltage Wiring**

Be sure the available power is the same voltage and phase as that shown on the unit serial plate. Line and low voltage wiring must be done in accordance with local codes or the National Electrical Code whichever is applicable.

#### **Indoor Unit Power Connection**

Line voltage connection is made by connecting the incoming line voltage wires to the “Line” side of the contactor or the power block depending on the specific heat pump model. Refer to the wiring diagram located on the

When system must be opened for service, recover refrigerant, evacuate then break vacuum with dry nitrogen and replace filter driers. Evacuate to 400 microns prior to recharging. Do not vent refrigerant into the atmosphere.

#### **CAUTION**

Unit Operation Hazard- **Failure to follow this caution may result in equipment damage or improper operation.**  
**Do not leave system open to atmosphere any longer than necessary for installation. POE oil in compressor is extremely susceptible to moisture absorption. Always keep ends of tubing sealed during installation.**

electrical panel door of the unit. Wiring diagrams are also included at the beginning of this manual.

#### **Outdoor Unit Power Connection**

Provide a disconnect at the outdoor unit as required by Code.

Power for outdoor unit may be brought from the indoor unit from terminal lugs provided or can be supplied from a separate circuit from the panel.

#### **Domestic water assist pump**

Provide a separate power supply for the field supplied pump. Follow suggested wiring diagram for pump provided in this document.

#### **Field Wiring**

All field installed wiring, including electrical ground, must comply with the National Electrical Code as well as all applicable local codes.

Refer to the unit wiring diagrams for fuse sizes and a schematic of the field connections that must be made by the installing (or electrical) contractor.

Consult the unit wiring diagram provided with the equipment or located on the inside of the compressor access panel to ensure proper electrical hookup.

All final electrical connections must be made with a length of flexible conduit to minimize vibration and sound transmission to the building.

# A2W Series Heat Pump

---

## *Electrical – LOW Voltage*

### **Thermostat Connections**

The thermostat or set point control should be wired directly to the terminal board in the unit. Refer to wiring diagrams provided with the unit. The CCHP expects a standard heat / cool thermostat. Do not use a heat pump thermostat without contacting the factory for instructions on how to wire and apply. 2<sup>nd</sup> stage of two stage thermostat can be used to energize W2 (emergency heat) or the emergency

heat call can be ignored at the thermostat and the unit will automatically initiate emergency heat as required. Please refer to AH Control documents for programming air handler control on unit.

### **Control and communication cable between indoor and outdoor unit.**

A 25 foot control cable is provided with each unit for connecting the indoor and outdoor unit. **DO NOT SPLICE OUR EXTEND WIRES.** If the distance between the indoor and outdoor unit necessitates a longer cable, please order the required length at time of purchase.

## **Start Up Procedures**

### *Initial Check*

**Do NOT start the heat pump until you have checked the following:**

1. All Hydronic loops are filled and purged.
2. All refrigerant connections between the indoor unit and outdoor module have been brazed and leak test was passed.
3. Both the liquid and vapour service valves have been open.
4. The field power and control wiring has been done in accordance to the wiring diagrams provided.

If a separate hydronic backup water coil is used for air handlers attached to the hydronic loop, ensure that the plumbing and water heater have been properly installed and that all air has been purged from the secondary loop.

### *Commissioning report*

Upon system start up, follow and completely fill in the **Ecologix Commissioning Report** form.

Follow instructions on the form for testing the unit and optimizing the refrigerant charge.

### *Defrost Test*

In cold weather, the defrost cycle can be easily checked by waiting until the unit goes into defrost. Observe the amount of ice built up on the coil at the start of defrost and again at the end of defrost to make sure the system initiates defrost only after ice has formed and ends defrost only after ice has cleared.

In warmer weather defrost can only be tested by setting the defrost set point above the outside temperature for the period of the test then setting the value back when the test is complete.

If the outdoor temperature is below the defrost set point (DEF\_SETP), a defrost cycle can be initiated for test purposes by unplugging the saturation sensor at the outdoor unit while heating mode is on. This would trigger a call for defrost in automatic defrost mode. See ASHP User Manual for more details on adjusting and testing system controls and testing defrost.

## **Service and Maintenance**

### *Indoor unit*

At the start of each cooling season, check the drain connection to the refrigerant coil to ensure it is free of debris. If a plugged coil is suspected, call a service technician for testing and cleaning.

### *Outdoor Fan*

Check outdoor fan twice a year to ensure proper operation. Clear any obstruction or debris. It is important to periodically check the outdoor coil to ensure there is no debris blockage. Losing

a portion of the outdoor coil can have a significant impact on the system performance.

### *Compressor*

It is recommended to conduct annual amperage checks to ensure current draw is no more than 10% greater than that indicated by serial plate data.

### *Cabinet*

Generally, all cabinets are set up from the floor a few inches on an isolation pad for sound control.

## A2W Series Heat Pump

This will ensure long life and a cabinet free of corrosion. The cabinet can be cleaned using a mild detergent.

### Refrigerant System

To maintain sealed circuit integrity, do not install service gauges unless unit operation appears abnormal. Verify that air flow rates are at proper levels before servicing the refrigerant circuit.

### Maintenance for attached forced air systems

Check filters at least every three months.  
Replace at least every six months for single use

filters. Wash every three months for washable filters and replace at least once every three years.

If the installation is located in a system with a known high dirt or debris content, it is best to establish with the owner a periodic maintenance schedule so the coil can be checked regularly. If periodic coil cleaning be necessary, use standard coil cleaning procedures which are compatible with both the heat exchanger material and copper lines.

### Unit & System Checklist

Item	Description	Done
1	Ensure Voltage is within an acceptable range for the unit and wiring and fuses/breakers are properly sized. Check low voltage wiring is complete	<input type="checkbox"/>
2	Ensure transformer has properly selected control voltage tap. 208-230V units are factory wired for 230V operation unless specified otherwise.	<input type="checkbox"/>
3	Check internet connection at unit to confirm gateway communication is working. If all lights are not on, please contact Ecologix for help troubleshooting connection.	<input type="checkbox"/>
4	Verify inlet and outlet water temperatures on <b>load</b> side heat exchanger are recorded for each heat pump upon startup. This check can eliminate nuisance trip outs and high velocity water flows that can erode heat exchangers.	<input type="checkbox"/>
5	Test thermostat to ensure each call is functioning as expected. If multi-zone system, test each thermostat separately and with all zones calling.	<input type="checkbox"/>
6	Water used in the system must be potable quality initially and clean of dirt, piping slag, and strong chemical cleaning agents. Verify all air is purged from the system. Air in the system can cause poor operation or system corrosion.	<input type="checkbox"/>
7	Test indoor and outdoor unit sensors are functioning by reading sensors at controller display, comparing to hand held thermometer. Test defrost control is working by triggering defrost cycle in heating mode. (see <b>Defrost</b> , above)	<input type="checkbox"/>
8	Check filters are in place for attached forced air systems	<input type="checkbox"/>

## Warranty

This product is warranted by Ecologix Heating Technologies Inc. (EHT) to be free from defects in materials and manufacturing workmanship that affect product performance under normal use and maintenance within the applicable periods specified below. Replacements furnished will carry only the un-expired portion of the original warranty. This warranty covers Ecologix A2W series heat pumps, both the indoor unit and outdoor module.

### **Two-Year Parts & Labor for All Parts**

EHT will provide replacement parts and labor costs for any part that fails within two years of purchase, subject to the **terms** below.

### **Five-Year Parts & Labor for Major Refrigerant Circuit Components**

EHT will provide replacement parts and labor costs for any major refrigerant circuit component (compressor, heat exchangers, expansion valve and reversing valve) that fails within five years of purchase, subject to the **terms** below.

### **Ten-Year Compressor (parts only)**

EHT will provide a replacement for any compressor installed in an Ecologix A2W series system that fails within ten years of purchase, subject to the **terms** below.

### **Terms**

- ❖ Reasonable proof of original purchase date must be provided in order to establish the effective date of the warranty, failing which, the effective date will be based on the date of manufacture plus thirty days.
- ❖ The warranty does not cover failure or damages caused by:
  - improper installation or operation
  - accident, abuse or alteration
  - operation of device at temperatures or pressures outside of the rated capacities
  - lime or scale deposits
  - corrosive operating environment
  - equipment moved from original installation location
- ❖ Replacements furnished under this warranty will be F.O.B. Ecologix Heating Technologies Inc product distribution points in the United States and Canada. They will be invoiced at regular prices. The account will be credited the full amount when the defective part is received by Ecologix, examined and approved as a valid warranty.
- ❖ Warranty applies to the original purchaser, but may be transferred to another owner provided the equipment is not moved from the original installation site.
- ❖ This warranty does not apply to freight, transportation or any other cost associated with the service, repair or operation of the product.
- ❖ Where labor is included above, EHT will provide reimbursement (in the form of credit to the claimant's account) of labor costs to the installer, as specified in the Ecologix Heat Pump Warranty Allowance Schedule in effect at the time of system installation.
- ❖ Ecologix shall not be liable for any direct, special, incidental or consequential damages caused by the use, misuse, or inability to use this product.
- ❖ Ecologix is under no legal obligations to rectify, including but not limited to, lost profits, downtime, good will, damages to, or replacement of equipment and property
- ❖ Purchaser assumes all risk and liability of loss, damage or injury to purchaser and purchaser's property and to others and their property arising out of the use, misuse or inability to use this product.
- ❖ These terms are subject to change on future sales at any time and without notice.