

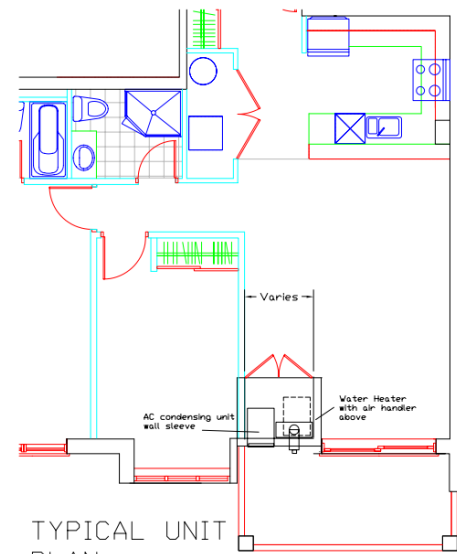
Slim Condensing Unit and Air Handler Offer Heating, Cooling in Small Closet

Project Objectives

Condominiums with small mechanical closets require well appointed, space saving designs. Many mechanical closets are 36" wide and sometimes smaller, while needing to hold heating, air conditioning and domestic hot water equipment. Narrow condensing units and air handlers are desired for minimum closet size. While sound attenuation is of critical concern as the mechanical closet is often adjacent to living space.



Condominium Exterior



Condominium Floorplan

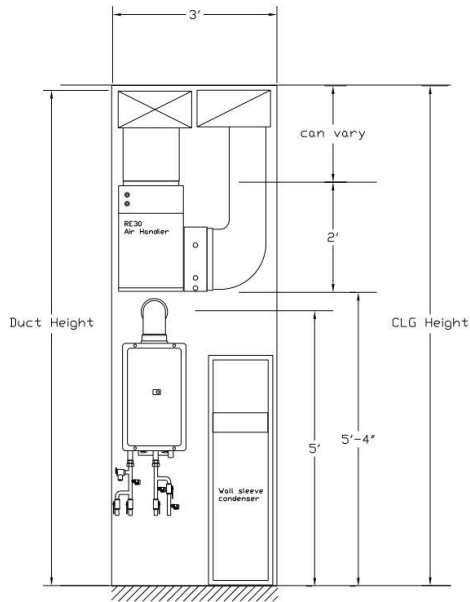
Project Solution

Ecologix offers the ECR narrow profile air handler in 33,000, 40,000, 42,000, 66,000, 70,000 and 80,000 Btu/Hr configurations. A return mounted cased cooling coil allows for lower head room in the closet & keeps the cooling coil accessible for service. The ECR air handler is great for retrofit applications as it fits low head space with heating and cooling coil in same box.

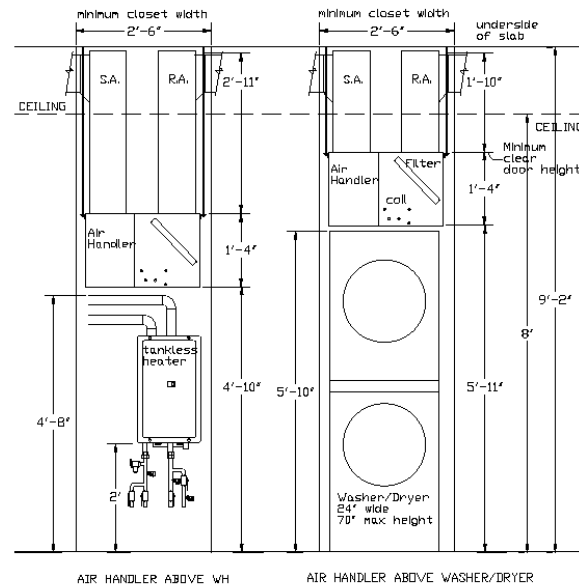
The ECR series air handler is designed for use in hydronic (boiler) systems, Hydronic Heat Pump systems or combination space and water heating systems (Combo Systems). Combo heating systems use the home's water heater to provide both the space heating and domestic hot water, eliminating the need for a furnace. This can be done with a Hot Water Tank or Tankless Heater. The equipment can be configured for heating only, heating and cooling or cooling only applications. The Combo Systems are incredibly space efficient allowing for the smallest possible closet footprints. The Ecologix ECR and ECRW are compatible with standard duct systems or can be used in small diameter or high velocity duct systems.

Ecologix's TW and TWF narrow or short profile condensing units allow for the smallest possible closet size. They provide the cooling capabilities of regular air conditioning condensers ("cubes" or "slim-line") but can be installed through the wall and serviced from inside the dwelling. They are ideally suited to high-rise buildings

where exterior space and accessibility can be major issues. The cabinets are narrow to maximize exterior wall and window space and allow for closet installations of side by side AC, air handler and water heater.



ECR and TW Combo System with Tankless Hot Water Heater for Heating, Cooling and Hot Water

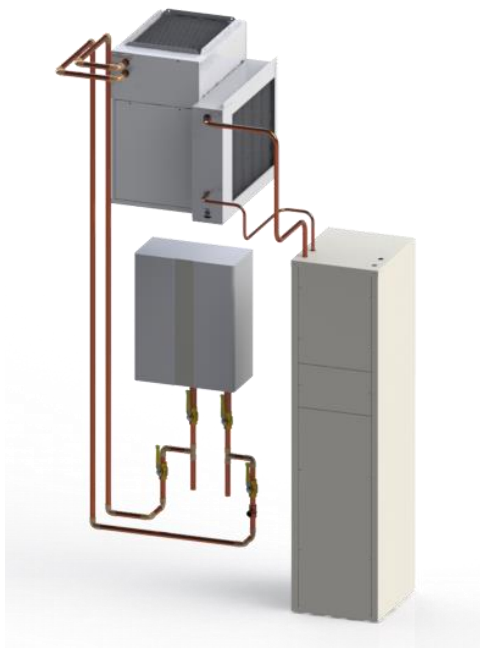


ECRW Combo System

ECRW above Washer/Dryer

Results

The Ecologix ECR and TW Combo System with Tankless Hot Water Heater offers homeowner Heating, Cooling and Hot Water in the smallest possible mechanical closet. The high efficiency ECM blower motor provides electrical savings and multiple levels of sound attenuation and insulation ensure quiet operation and low noise inside the suite. The equipment is installed and serviced from the indoors and works with domestic hot water heaters, tankless hot water heaters, boilers or heat pumps to provide space heating and cooling for residential homes, apartments and condominiums.



ECR and TW Combo System



Installed Combo System